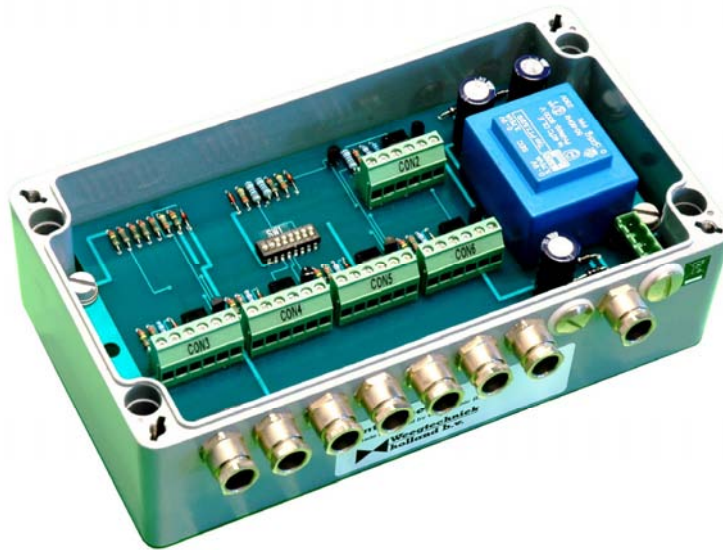


WEIGHTEC 848



Bus-Interface for 348 en 341AD

- ***15 weigh amplifiers connectable***
- ***RS 232 or Current Loop communication***

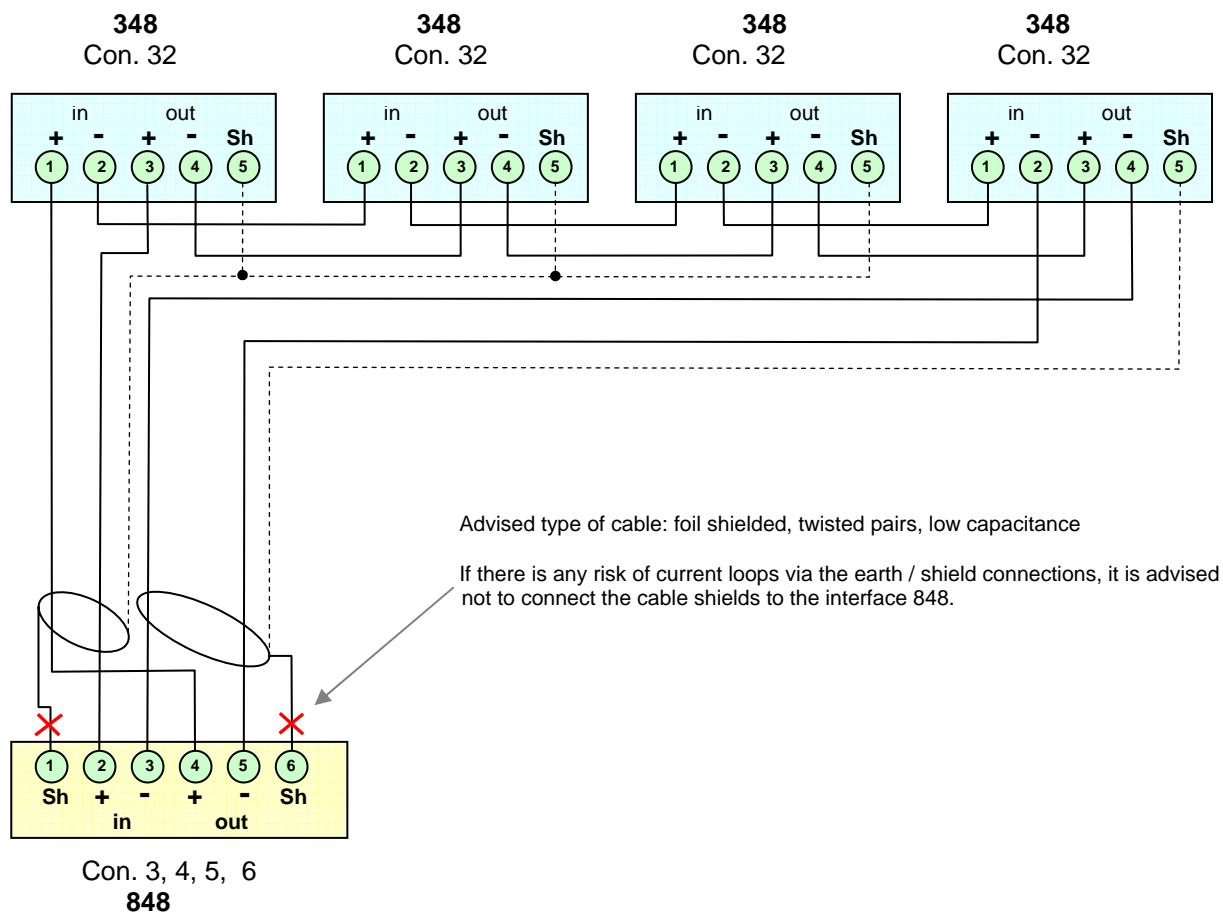
INTERFACE 848



INTERFACE 848 DIAGRAM BUS CONNECTION in CURRENT LOOP

Using Interface type 848 4 groups of 4 amplifiers type 348 and/or 341's (max 15) may be connected in CL mode to one input of a host computer system in CL mode or RS 232 mode. Amplifiers of type 341-AD and type 348 may be connected at random positions on the inputs.

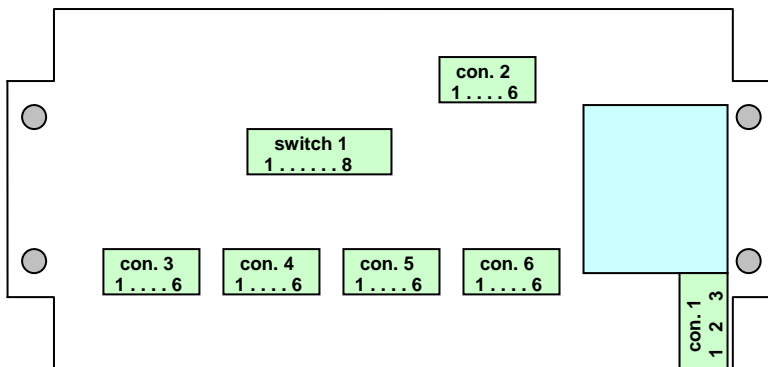
Wiring example of 1 group of 4 amplifiers type 348, connected to 1 of the 4 input connectors of the 848:



Since the 341 en 348 amplifiers have a selectable identification number: 1 . . . 15, up to a maximum of 15 of these amplifiers may be connected via the interface 848 to one input port of a computer.

It is advised to spread equally the connected amplifiers over the 4 input connectors nr. 3 t/m 6.

The output of the Interface 848 may be selected as RS 232 or Current Loop.

INTERFACE 848 PRINT LAYOUT, CONNECTIONS, HOUSING

Connector 1 (power supply) : pin 1 = L1 230 VAC
 pin 2 = N - 15% .. +10%
 pin 3 = PE 40 .. 60 Hz

Connector 2 (output)

Output	+/- 12 V	20 mA	20 mA
to computer	RS 232	CL passive	CL active
pin 1	IN		
pin 2		- IN	+ IN
pin 3	GND	+ IN	- IN
pin 4		+ OUT	- OUT
pin 5	OUT	- OUT	+ OUT
pin 6	Shield	Shield	Shield

Connector 3 t/m 6 (input 348/341's) : max. 4 x 348 / 341 on one connector, spread equally over the connectors if less than 15 amplifiers are applied.

Input	
max 15 x 348	Current Loop
pin 1	Shield
pin 2	+ IN
pin 3	- IN
pin 4	+ OUT
pin 5	- OUT
pin 6	Shield

Switch 1 (not used inputs)

: input connectors (con. 3 up to 6) that have no amplifier connected, should be short circuited by selecting the ON (high) position of the related switch of switchblock 1:

Switchblock 1	for input connector:	
switch nr.	connector	pin
1	Con 3	2 and 3
2	Con 3	4 and 5
3	Con 4	2 and 3
4	Con 4	4 and 5
5	Con 5	2 and 3
6	Con 5	4 and 5
7	Con 6	2 and 3
8	Con 6	4 and 5

Housing

: identical to the Weightec's 348 en 341: 220 x 120 x 90 mm cast aluminium, grey painted, IP 65 closed