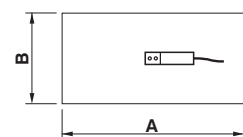
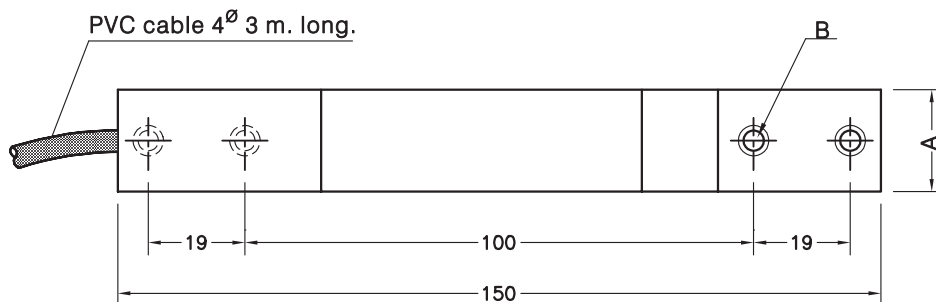
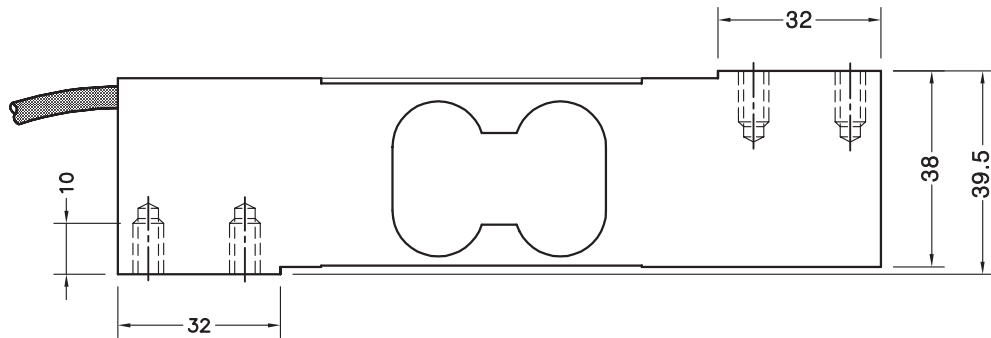


- Double bending beam load cell
- Measuring element from steel alloy
- 3000 divisions O.I.M.L. R60 class C
- Protected IP 66 (EN 60529)
- Single point load cell. High accuracy with off-center loads
- Protected against corrosion by nickel-plated treatment
- Applications:
  - direct platform up to 500 x 500 mm
  - filling scales

- Buigstaaf met dubbel veer element
- Meetelement van vernikkeld staal
- Nauwkeurigheid 1:3000 OIML R60 klasse C
- Dichtheidsklasse IP 66 (EN 60529)
- Hoge nauwkeurigheid bij excentrische belasting
- Corrosie beschermd door vernikkeld oppervlak
- Toepassingen:
  - Platformweegschalen met 1 krachtopnemer, max 500 x 500 mm
  - Weegbakjes en -tankjes

| Model      | Nominal capacity<br>Meetbereik<br>E max | Accuracy class<br>Nauwkeurigheid<br>n. OIML | Minimum division<br>Kleinste schaaldeel<br>v min | Service load<br>Max. belasting<br>150 % Emax | Platform<br>afmetingen<br>A x B mm | Accuracy<br>Nauwkeurigheid<br>bij 1/3 Emax |
|------------|---|---|--|--|------------------------------------|--|
| 160 15 kg  | 15 kg                                   | 3000  | 1.5 g  | 22.5 kg                                      | 500 x 500                          | 3000 v                                     |
| 160 20 kg  | 20 kg                                   | 3000  | 2 g  | 30 kg  | 500 x 500                          | 3000 v                                     |
| 160 30 kg  | 30 kg                                   | 3000  | 3 g  | 45 kg  | 500 x 500                          | 3000 v                                     |
| 160 50 kg  | 50 kg                                   | 3000  | 5 g  | 75 kg  | 500 x 500                          | 3000 v                                     |
| 160 75 kg  | 75 kg                                   | 3000  | 7.5 g  | 112.5 kg                                     | 500 x 500                          | 3000 v                                     |
| 160 100 kg | 100 kg                                  | 3000  | 10 g   | 150 kg                                       | 500 x 500                          | 3000 v                                     |
| 160 150 kg | 150 kg                                  | 3000  | 15 g   | 225 kg                                       | 500 x 500                          | 3000 v                                     |



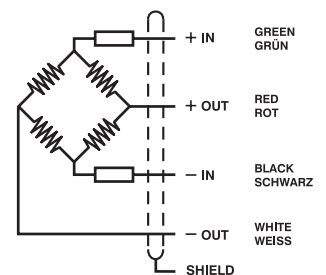


| Nominal load (kg)<br>Meetbereik (kg) | Transport weight<br>Transportgewicht | A  | B  |
|--------------------------------------|--------------------------------------|----|----|
| 15-20-30                             | 0.7 kg                               | 20 | M6 |
| 50-75-100-150                        | 0.85 kg                              | 25 | M8 |

Dimensions in mm. Afmetingen in mm.

| SPECIFICATIONS                 |                           |            | TECHNISCHE GEGEVENS              |
|--------------------------------|---------------------------|------------|----------------------------------|
| Nominal capacities (Ln)        | 15-20-30-50<br>75-100-150 | kg         | Meetbereiken (E max)             |
| Accuracy class                 | 3000                      | n. OIML    | Nauwkeurigheidsklasse            |
| Minimum dead load              | 0                         | % Emax     | Minimum voorlast                 |
| Service load                   | 150                       | % Emax (1) | Maximum belasting                |
| Safe load limit                | 200                       | % Emax (1) | Breuklast                        |
| Total error                    | < ±0.017                  | %Sn (2)    | Samengestelde fout               |
| Repeatability error            | < ±0.01                   | %Sn        | Herhalingsnauwkeurigheid         |
| Temperature effect:<br>on zero | < ±0.01                   | %Sn/5°K    | Temperatuurafwijking :<br>op nul |
| on sensitivity                 | < ±0.006                  | %Sn/5°K    | op meetbereik                    |
| Creep error (30 minutes)       | < ±0.016                  | %Sn        | Kruipfout (30 min.)              |
| Temperature compensation       | -10...+40                 | °C         | Temperatuur gecompenseerd        |
| Temperature limits             | -20...+70                 | °C         | Temperatuur grenzen              |
| Nominal sensitivity (Sn)       | 2 ±10%                    | mV/V (3)   | Signaalsterkte (Sn)              |
| Nominal input voltage          | 10                        | V          | Nom. voedingsspanning            |
| Maximum input voltage          | 15                        | V          | Max. voedingsspanning            |
| Input impedance                | 400 ±20                   | Ω          | Ingangsweerstand                 |
| Output impedance               | 350 ±3                    | Ω          | Uitgangsweerstand                |
| No load output                 | < ±2                      | %Sn        | Nulsignaal tolerantie            |
| Insulation resistance          | > 5000                    | MΩ         | Isolatie weerstand               |
| Maximum deflection (at Ln)     | 0.3-0.5                   | mm         | Meetweg (bij Emax)               |

ELECTRICAL CONNECTION  
ELEKTRISCHE AANSLUITING:



- (1) Only central loads on the load cell. Not for off-center loads  
Alleen bij centrische belasting. Niet bij a-centrische belasting !
- (2) Total error: Non Linearity and Hysteresis / Samengestelde fout = niet lineariteit + hysteresis
- (3) 2 ±0.1% mV/V optie